

## Item description/product images



## Description

**Material:**

Clamping element steel or brass.

**Version:**

Steel hardened.

**Note:**

Also known as pitbull clamps.

Extremely space-saving design.

No protruding edges due to lateral clamping.

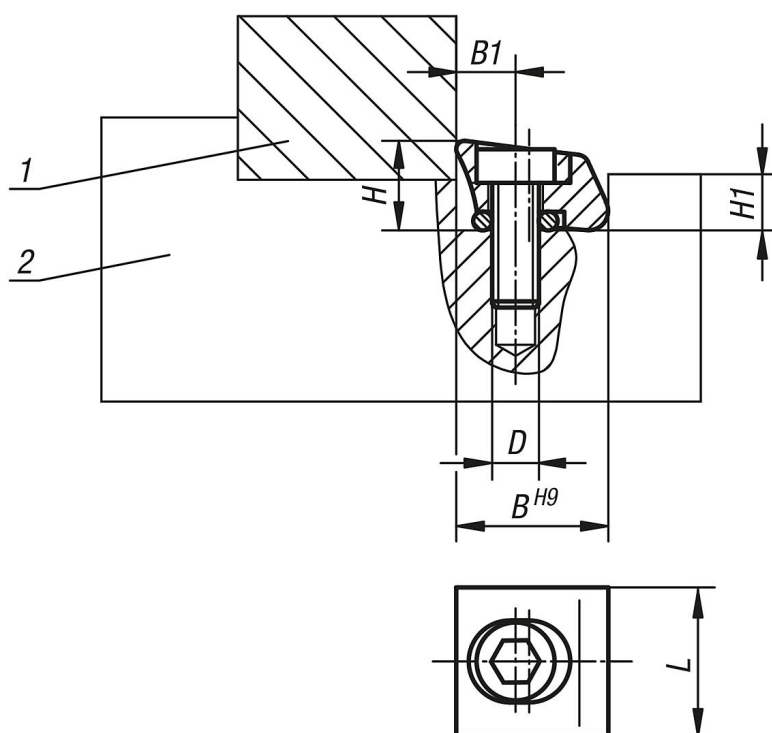
Positive down force.

**Drawing reference:**

1) workpiece

2) Fixture

## Drawings



## Overview of items

Order No.	Version	Main material	D	B	B1	H	H1	L	Clamping travel	Clamping force kN	Tightening torque max. Nm
04441-110	with knife edge	steel	M2,5x8	9,5	3,8	6	3,6	9,5	0,15	2,8	1,8
04441-113	with knife edge	steel	M4x12	12,7	5,1	8	4,8	13	0,4	6,6	5,6
04441-119	with knife edge	steel	M6X16	19,05	7,6	11,5	7,2	19	0,6	16	22,5
04441-210	with blunt edge	steel	M2,5x8	9,5	3,8	6	3,6	9,5	0,15	2,8	1,8
04441-213	with blunt edge	steel	M4x12	12,7	5,1	8	4,8	13	0,4	6,6	5,6
04441-219	with blunt edge	steel	M6X16	19,05	7,6	11,5	7,2	19	0,6	16	22,5
04441-310	with blunt edge	brass	M2,5x8	9,5	3,8	6	3,6	9,5	0,15	0,9	0,56
04441-313	with blunt edge	brass	M4x12	12,7	5,1	8	4,8	13	0,4	1,8	2,8

## Overview of items

Order No.	Version	Main material	D	B	B1	H	H1	L	Clamping travel	Clamping force kN	Tightening torque max. Nm
04441-319	with blunt edge	brass	M6X16	19,05	7,6	11,5	7,2	19	0,6	4,2	5,6