

Item description/product images

**Description****Material:**

Steel electro zinc-plated.

Note:

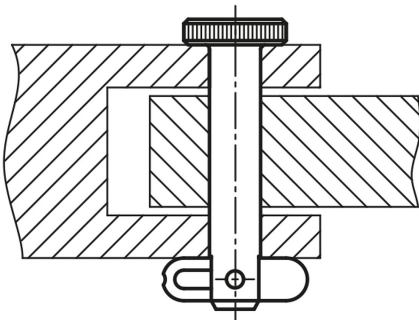
Locking pins with folding latch are not only used for fast and easy fixing but also for permanent joining of movable parts and workpieces.

The wide folding latch lets you secure the parts to be joined over a large cross section. It can also work under pressure in the axial direction.

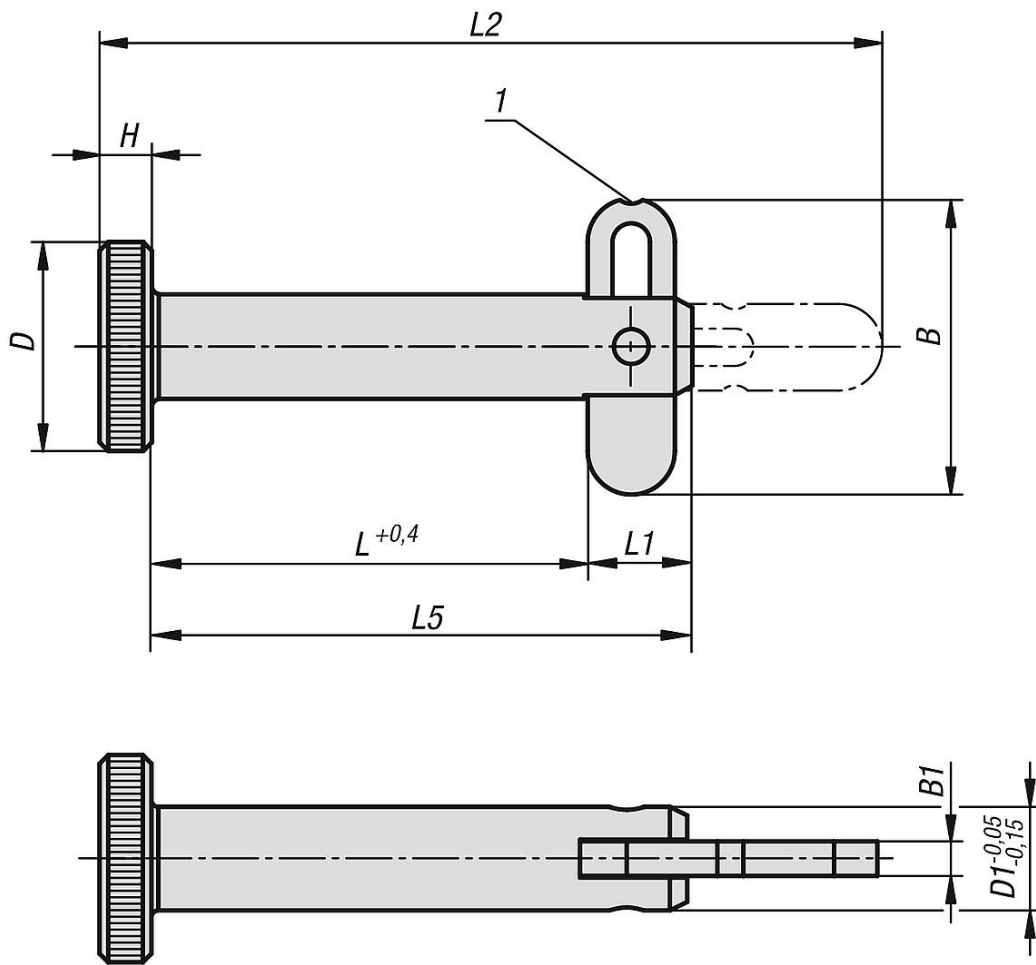
Indexing slots in the folding latch allow definite "Closed" and "Open" positions.

Drawing reference:

1) locking slot



Drawings



Overview of items

Order No.	B	B1	D	D1	H	L	L1	L2	L5	Receiving hole H11	Shearing force double shear max.kN	Extraction force F N
03400-06025	16,9	2	12	6	3	25	6	45	31	6	12	190
03400-06040	16,9	2	12	6	3	40	6	60	46	6	12	190
03400-06050	16,9	2	12	6	3	50	6	70	56	6	12	190
03400-08025	16,9	2	16	8	4	25	6	46	31	8	21	270
03400-08040	16,9	2	16	8	4	40	6	61	46	8	21	270
03400-08050	16,9	2	16	8	4	50	6	71	56	8	21	270